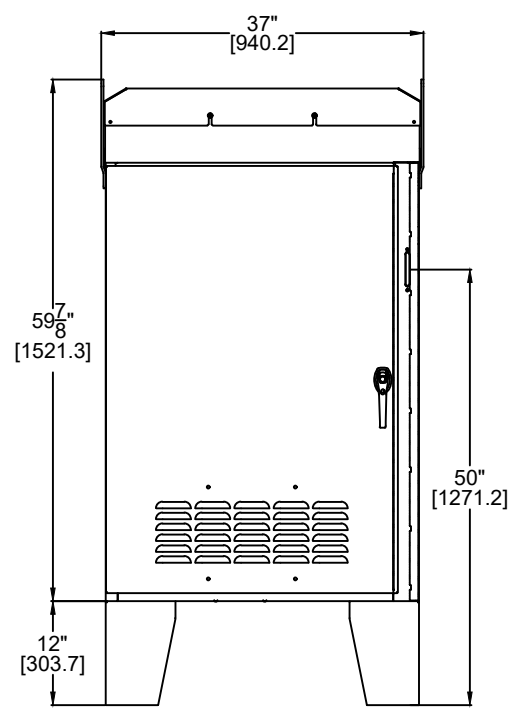
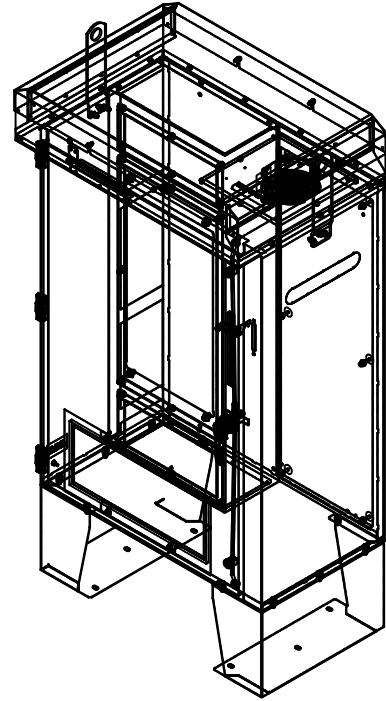
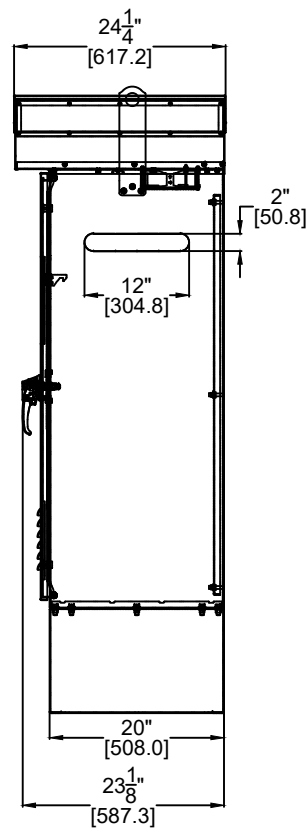


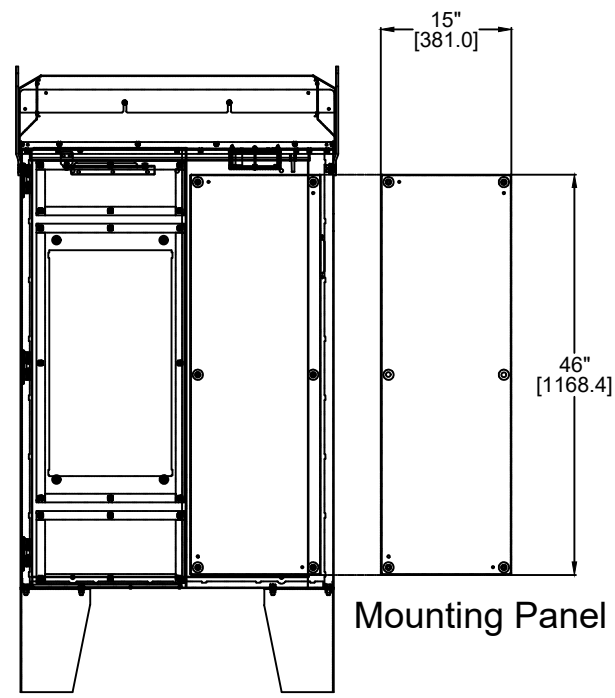
CONFIDENTIAL



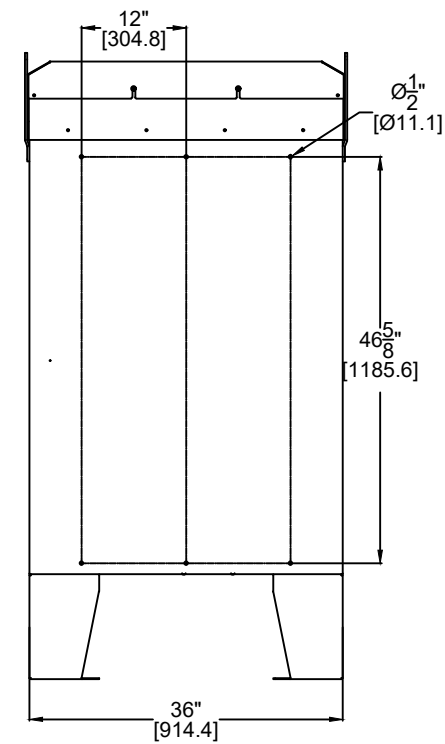
Front View



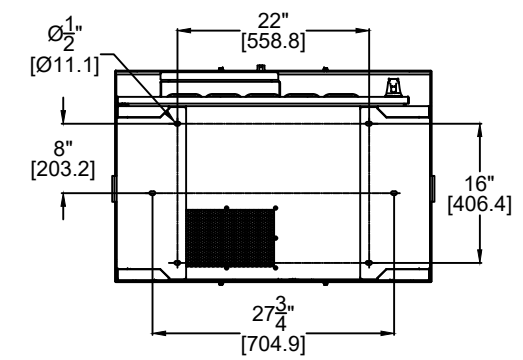
Side View



Inside View



Back View
Wall mount dimensions



Bottom View
Leg stand dimensions

NAE MOTOR CONTROLS
350 VAIDEN RD.
HERNANDO, MS 38632



ENC3R-SPHCDS-53X3620-SE1 LAYOUT DIAGRAM		SERIAL NUMBER	DRAWING NO. CP1-L-01
SCALE NONE	DRAWN BY MRP	DATE 05/09/2023	
CUSTOMER INTEGRATOR KITS			

REV.	DATE	DR.	CK.	DESCRIPTION
A				FIRST ISSUE